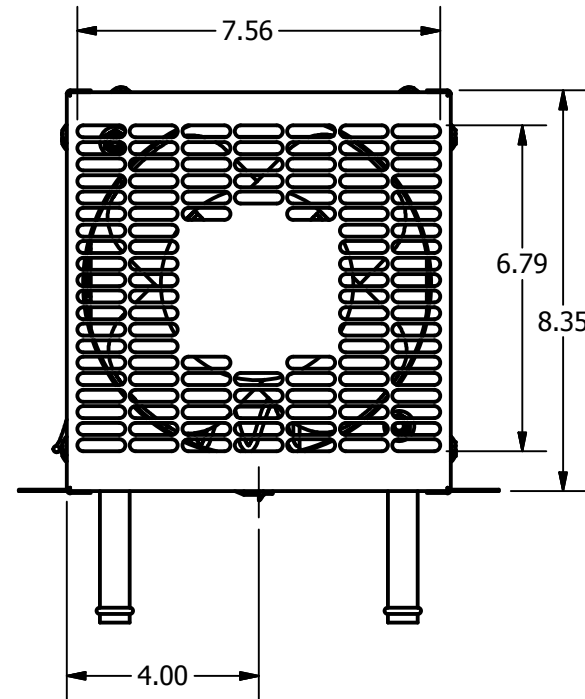
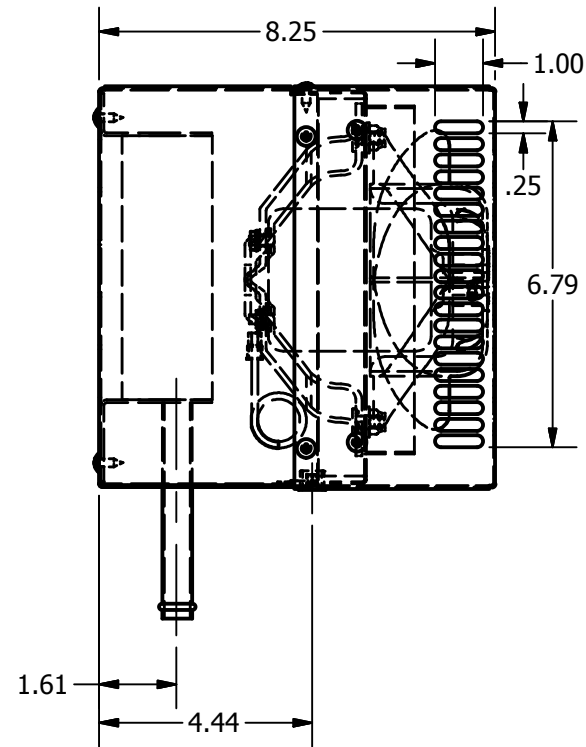
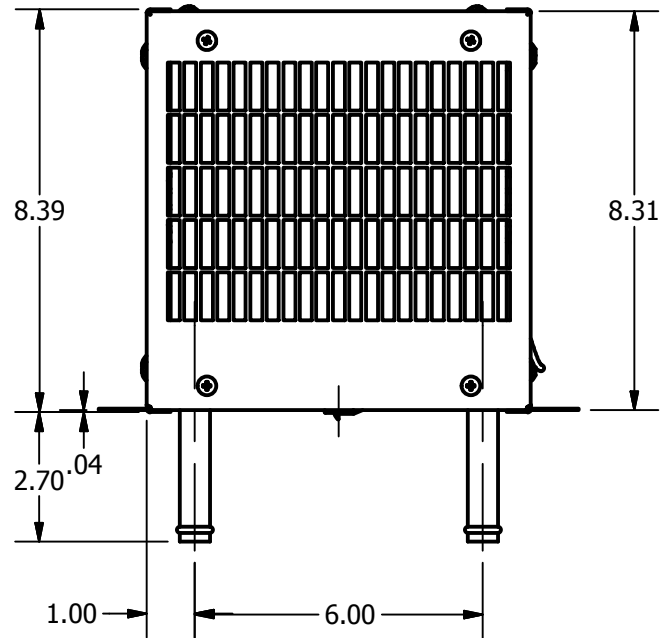


THERMATECH ENG.

MFG. NO. 065210000
 VOLTAGE 12
 SBMTC RATING 20,000
 BTU/HR/150 DEG F./ .00" SP
 MOTOR 015070100
 CORE NO. 065110200

SUPPLIED WITH 36"
 3 WIRE PIGTAIL

WHITE = GROUND
 BLACK = LOW SPEED
 RED = HI SPEED



PROJECT NO.
 0905012

DATE	A.R. Lintern a division of		
7/1/09	THRMA-TECH		
SCALE	ENGINEERING		
1/4	PART NAME		
MAT'L	065210000		
	BOX HEATER		
DRWN BY	CHK'D	APP	PART NO
JKF			065210000
	SHT NO	OF	3D FILE NAME
	3		20K-BTU-HTR-C2.iam